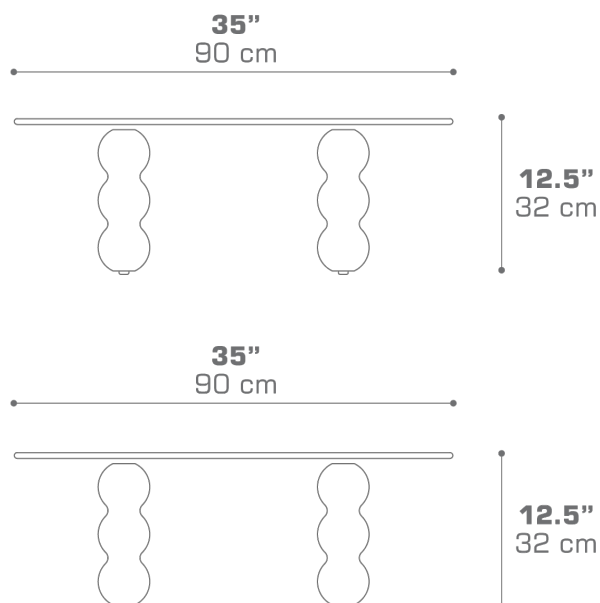


**LORENZO - Bobbin | Low Table Ø 35" / 90 cm**  
LNZ009ST

Protective cover available

**DIMENSIONS****CONFIGURATIONS**

FRAME : PREMIUM TEAK SMOOTH  
: SANDED

TOP : SINTERED STONE

Protective Cover :  
LNZ007PC

**PACKING DETAILS**

VOL : 16 ft<sup>3</sup> | 0.45 m<sup>3</sup>

NW : 81 lb | 37 kg

GW : 124.5 lb | 56.5 kg

PU : 1 Crate + 1 Box

**COLOR OPTIONS | DOWNLOAD**  
[MATERIAL & FINISHES](#)