

GLYPH Tea Table 23.5" / 60 cm (HPL Top | Stone Base)
GLY35

Protective cover available



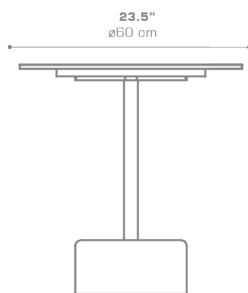
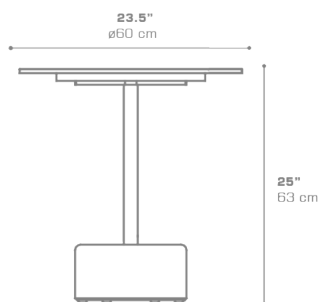
Suitable for rooftop



Heavier than regular items, suitable for more windy areas



Assembly

DIMENSIONS**CONFIGURATIONS**

| | |
|-------|--|
| FRAME | : Powder Coated Aluminum Ultra Durable |
| BASE | : Stone |
| TOP | : High Pressure Laminate (HPL) |

Protective Cover :
GLY01PC Protective Cover**PACKING DETAILS**

| | |
|-----|---|
| VOL | : 7 ft ³ 0.19 m ³ |
| NW | : 68 lb 31 kg |
| GW | : 88 lb 40 kg |
| PU | : 2 Boxes |

COLOR OPTIONS | DOWNLOAD
[MATERIAL & FINISHES](#)