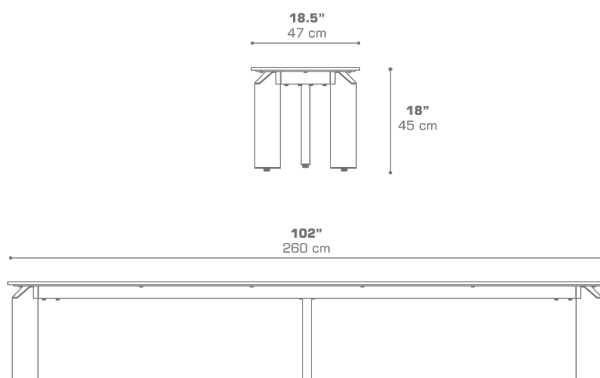


TITAN Bench 102" / 260 cm (HPL)
TIT08HPL

Protective cover available

DIMENSIONS**CONFIGURATIONS**

FRAME : Powder Coating Aluminum
SEATREST : High Pressure Laminate (HPL)

Protective Cover :
TIT08PC

PACKING DETAILS

VOL : 8.5 ft³ | 0.24 m³
NW : 150 lb | 68 kg
GW : 171.5 lb | 78 kg
PU : 2 Boxes

COLOR OPTIONS | DOWNLOAD
[MATERIAL & FINISHES](#)