

MUNIA NAYA Island 75" / 190 cm
MUN111



Protective cover available



Suitable for rooftop

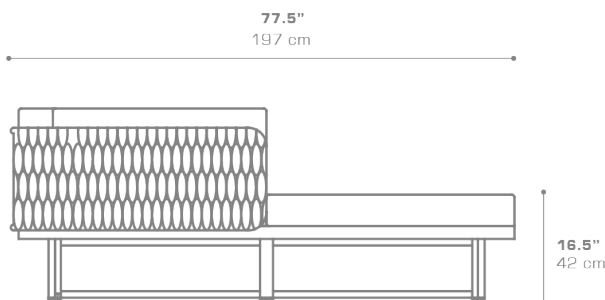
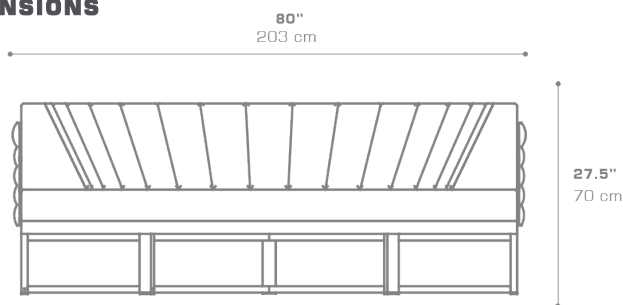


Heavier than regular items, suitable for more windy areas



Partially handcrafted, random imperfections are part of the design

DIMENSIONS



CONFIGURATIONS

FRAME : Powder Coated Aluminum
SHELL : Braiding
CUSHION : Grade A | B | C | D | E

Protective Cover :
MUN011PC

PACKING DETAILS

VOL : 150ft³ | 4.25 m³
NW : 141 lb | 64 kg
GW : 511 lb | 232 kg
PU : Crate
COM : 11.5 ly

COLOR OPTIONS | DOWNLOAD

[TEXTILES](#)

[MATERIAL & FINISHES](#)