

MUNIA MO Curved Modular System
MUN003



Protective cover available



Suitable for rooftop

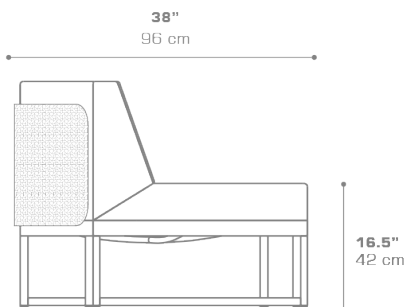
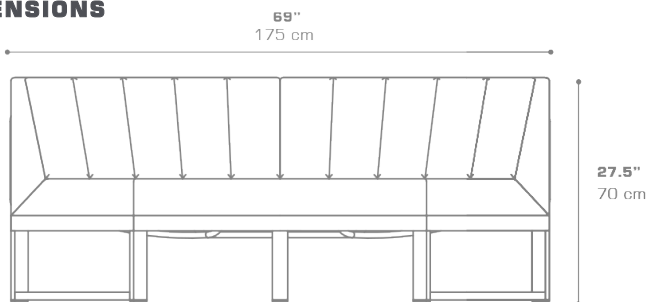


Heavier than regular items, suitable for more windy areas



Partially handcrafted, random imperfections are part of the design

DIMENSIONS



CONFIGURATIONS

- FRAME : Powder Coated Aluminum
- SHELL : Fiber Weave | Flat Patterns
- CUSHION : Grade A | B | C | D | E

PACKING DETAILS

- VOL : 48 ft³ | 1.37 m³
- NW : 68 lb | 31 kg
- GW : 101 lb | 46 kg
- PU : 1 / box
- COM : 6.5 ly

COLOR OPTIONS | DOWNLOAD

[TEXTILES](#)

[MATERIAL & FINISHES](#)