

MUNIA NAYA Hug
MUN112



Protective cover available



Suitable for rooftop

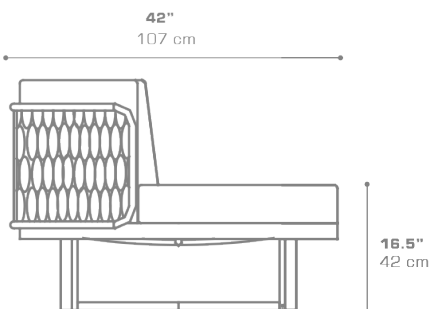
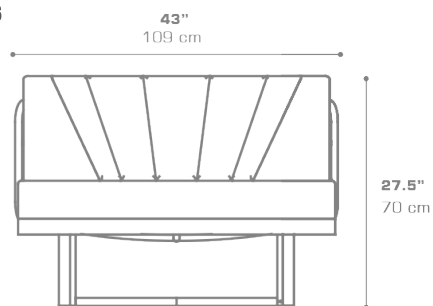


Heavier than regular items, suitable for more windy areas



Partially handcrafted, random imperfections are part of the design

DIMENSIONS



CONFIGURATIONS

- FRAME : Powder Coated Aluminum
- SHELL : Braiding
- CUSHION : Grade A | B | C | D | E

Protective Cover :
MUN012PC

PACKING DETAILS

- VOL : 33 ft³ | 0.94 m³
- NW : 51 lb | 23 kg
- GW : 77 lb | 35 kg
- PU : 1 / box
- COM : 5.5 ly

COLOR OPTIONS | DOWNLOAD

[TEXTILES](#)

[MATERIAL & FINISHES](#)