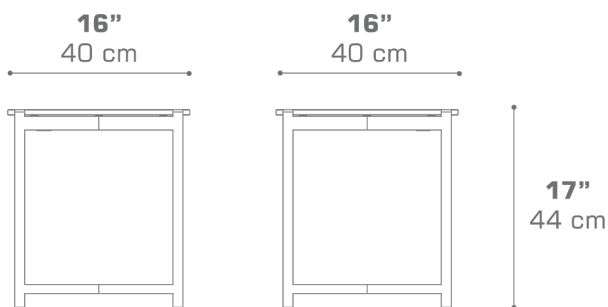


**TITAN Side Table 16" / 40 cm (Sintered Stone)**  
TIT05ST

Protective cover available

**DIMENSIONS****CONFIGURATIONS**

FRAME : Powder Coating Aluminum  
TOP : Sintered Stone

Protective Cover :  
TIT05PC

**PACKING DETAILS**

VOL : 5 ft<sup>3</sup> | 0.13 m<sup>3</sup>  
NW : 13 lb | 6 kg  
GW : 28 lb | 12.5 kg  
PU : 1 Crate & 1 Box

**COLOR OPTIONS | DOWNLOAD**  
[MATERIAL & FINISHES](#)