

ESTATE Rectangular Counter Table (HPL)
EST68



Protective cover available



Suitable for rooftop



Heavier than regular items, suitable for more windy areas



Assembly

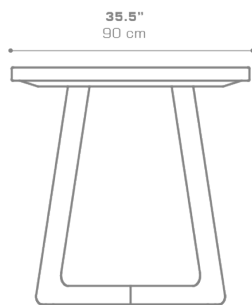
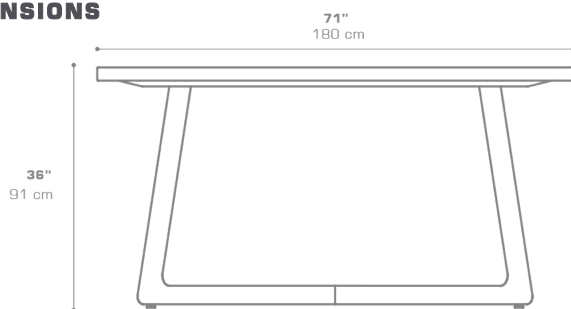


Partially handcrafted, random imperfections are part of the design



Adjustable

DIMENSIONS



CONFIGURATIONS

FRAME : Premium Teak | Whitewash
TOP : High Pressure Laminate (HPL)

Protective Cover :
EST66PC Top table only
ESTPC-13 Table + 6 Counter Chairs

PACKING DETAILS

VOL : 20 ft³ | 0.56 m³
NW : 141 lb | 64 kg
GW : 176 lb | 80 kg
PU : 2 Boxes

COLOR OPTIONS | DOWNLOAD
[MATERIAL & FINISHES](#)

ADDITIONAL INFORMATION



6