

GLYPH Bar Table 23.5" / 60 cm (Alu Top | Stone Base)
GLY28

Protective cover available



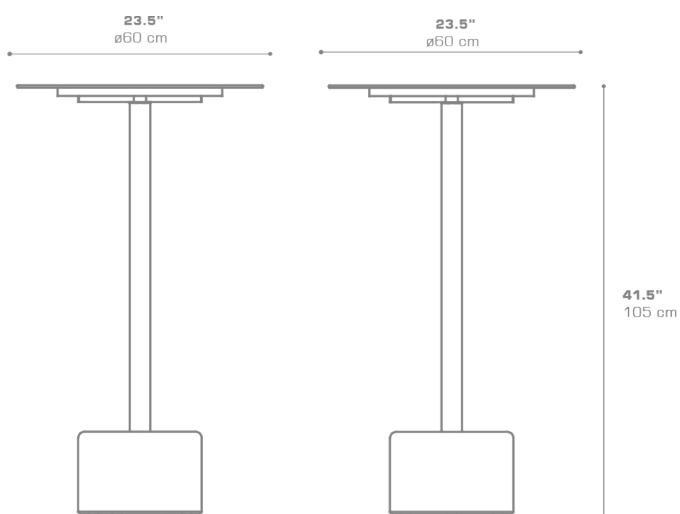
Suitable for rooftop



Heavier than regular items, suitable for more windy areas



Assembly

DIMENSIONS**CONFIGURATIONS**

FRAME & TOP : Powder Coated Aluminum Ultra Durable

BASE : Stone

Protective Cover :
GLY01PC Top table only
GLYPC-3 Table + 2 Bar Chairs**PACKING DETAILS**VOL : 10 ft³ | 0.28 m³

NW : 90 lb | 41 kg

GW : 112 lb | 51 kg

PU : 2 boxes

COLOR OPTIONS | DOWNLOAD
[MATERIAL & FINISHES](#)**ADDITIONAL INFORMATION**

2