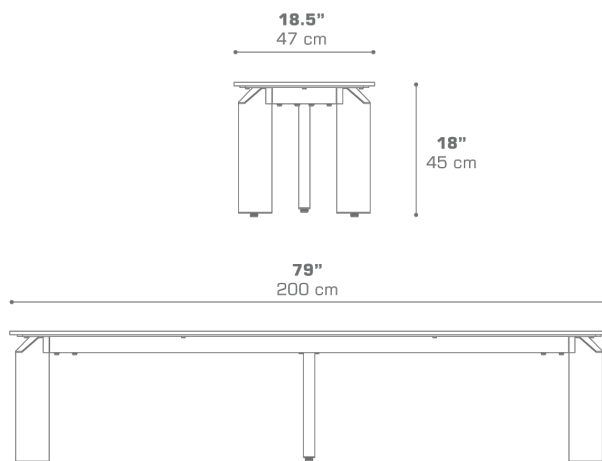


**TITAN Bench 79" / 200 cm (HPL)**  
TIT10HPL

Protective cover available

**DIMENSIONS****CONFIGURATIONS**

FRAME : Powder Coating Aluminum  
SEATREST : High Pressure Laminate (HPL)

Protective Cover :  
TIT10PC

**PACKING DETAILS**

VOL : 7 ft<sup>3</sup> | 0.21 m<sup>3</sup>  
NW : 118 lb | 54 kg  
GW : 136.5 lb | 62 kg  
PU : 2 Boxes

**COLOR OPTIONS | DOWNLOAD**  
[MATERIAL & FINISHES](#)